

## Marte 12

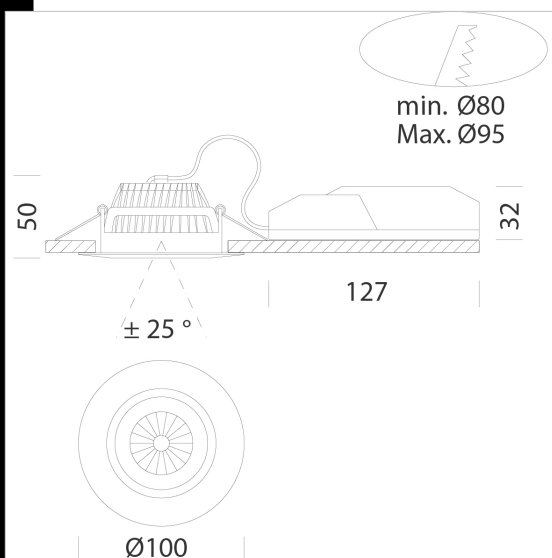
Housing: made of die-cast aluminium. Reflector: high-efficiency metallised polycarbonate. On request: silicone rubber protection gasket compliant with French low-energy building standards (BBC). Regulations: Produced according to applicable EN60598 - CEI 34 - 21 standards, degree of protection according to EN 60529 standards

Power factor:  $\geq 0.9$

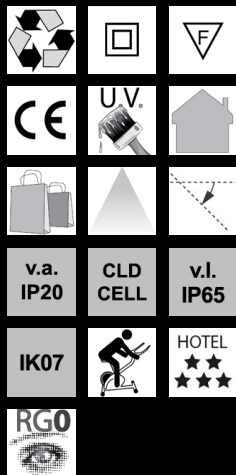
Luminous flux maintenance 80% 50000h (L80B20)

recessed  $\varnothing 80/95$ mm

Photobiological safety class: exempt group EN62471.



Code	Gear	Kg	Lumen Output-K-CRI	WTot	Colour
22061804-00	CLD CELL	0.28	LED COB-724-3000K-40°-CRI 93	9 W	BIANCO
22061804-68	CLD CELL	0.28	LED COB-775lm-4000K-40°-CRI 93	10 W	BIANCO
22061804-1241	CLD CELL-D-D	0.28	LED COB-724lm-3000K-40°-CRI 93	10 W	BIANCO
22061804-6841	CLD CELL-D-D	0.28	LED COB-775lm-4000K-40°-CRI 93	10 W	BIANCO
22061804-09	CLD CELL-E	0.70	LED COB-724lm-3000K-40°-CRI 93	10 W	BIANCO
22061804-6809	CLD CELL-E	0.70	LED COB-775lm-4000K-40°-CRI 93	10 W	BIANCO
22061804-31	CLD CELL-E	0.70	LED COB-724lm-3000K-40°-CRI 93	10 W	BIANCO
22061804-3113	CLD CELL-E	0.70	LED COB-775lm-4000K-40°-CRI 93	10 W	BIANCO



### Download

DXF 2D  
- marte12.dxf

Montaggi  
- MARTE\_4-5-6-7-8-9-10-11-12.pdf

The reported luminous flux is the flux emitted by the light source with a tolerance of  $\pm 10\%$  compared to the indicated value. The W tot column indicates the total wattage absorbed by the system without exceeding 10% of the indicated