



**Housing:** in die-cast aluminium with cooling fins.

**Diffuser:** 4mm thick tempered glass, resistant to thermal shocks and impacts.

**Coating:** powder-coated with graphite grey polyester resin, resistant to corrosion and saline environments.

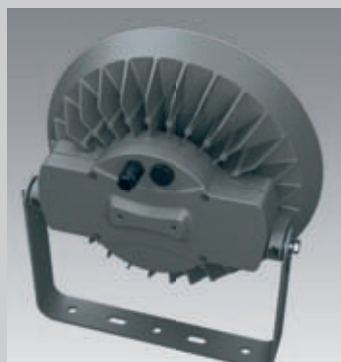
**On request:** with surface coating resistant to acetic acid salt spray tests pursuant to standard UNI EN ISO 9227 "Corrosion Tests in Artificial Atmosphere".

**Equipment** complete with mounting bracket and graduated scale goniometer which allows for accurate pointing. Silicone rubber gasket; external screws and bolts in stainless steel; air recirculation valve and insulation connector.

**Electronic safety device** to protect the LED module and the related ballast compliant with EN 61547. It works in two modes:

- differential mode: surge between power cables and between the phase and neutral.
- common mode: surge between power, L/N and ground cables or between the fixture's body if it is of class II and installed on a metal pole.

**On request:** protection up to 10KV.



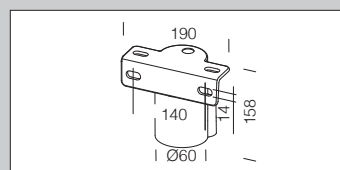
The modularity of the optical system, the solutions used for the electronic circuit design, make the Saturno a highly flexible product, capable of guaranteeing huge application advantages in several situations.

The heat dissipation system was designed and manufactured to allow LED operation at adequate temperatures and guarantee excellent performance/efficiency and long life.

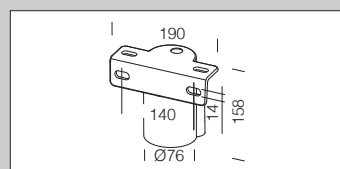
**On request:** versions with different photometric distributions (see chapter *Suspension*)



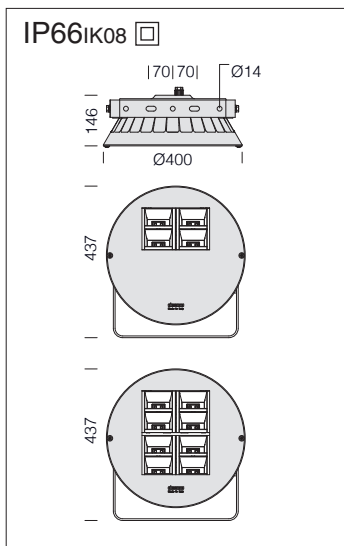
Complete with protractor scale. Aiming visor for precise aiming of the floodlight. The fixture is equipped with air recirculation valve and insulation connector for quick installation with **no need to open the fixture.**



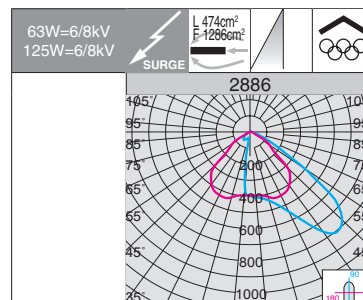
<b>acc. 235 ø60 pole mounting</b>	
graphite	997927-00
Made of aluminium. To be used to apply the fixture on a ø 60 pole.	



<b>acc. 236 ø76 pole mounting</b>	
graphite	997926-00
Made of aluminium. To be used to apply the fixture on a ø 76 pole.	



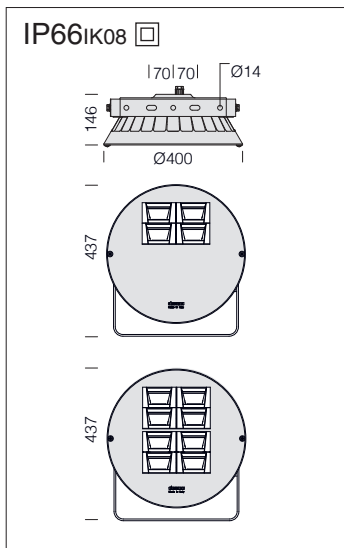
80.000h



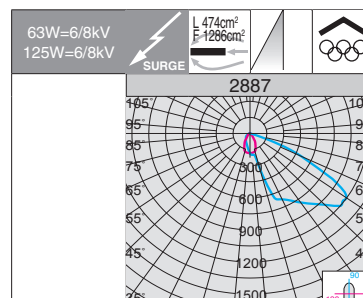
**Optics:** in aluminium coated with very high purity (99.99%) silver using physical vapour deposition (PVD).

**LED:** Luminous flux maintenance 80%: 80.000h (L80B10). Power factor  $\geq 0.95$ .

2886 Saturno - asymmetric 45°					
		CLD CELL		W	LED (T <sub>j</sub> =85°C)
wattage (700mA)	colour	weight	code		K - ølm 700mA - CRI
LED	graphite	11.00	330770-00	63	4000K - 8640lm - CRI 70
LED	graphite	11.00	330771-00	125	4000K - 17280lm - CRI 70



80.000h



**Optics:** in aluminium coated with very high purity (99.99%) silver using physical vapour deposition (PVD).

**LED:** Luminous flux maintenance 80%: 80.000h (L80B10). Power factor  $\geq 0.95$ .

2887 Saturno - asymmetric 60°					
		CLD CELL		W	LED (T <sub>j</sub> =85°C)
wattage (700mA)	colour	weight	code		K - ølm 700mA - CRI
LED	graphite	11.00	330780-00	63	4000K - 8640lm - CRI 70
LED	graphite	11.00	330781-00	125	4000K - 17280lm - CRI 70

