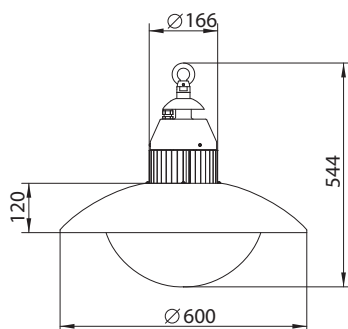


# KL LED PND



Pendent LED luminaire. Body is made of steel and aluminium and it is available in all RAL colours. Light source - Philips, Osram or Tridonic LED module. Standard EVG ballast, DALI or Touch Dali version on request. Standard length of suspension set - 1,5 meter.



Index no.	Lumen output	Wattage	Colour temp.	Colour rendering index	Lifetime	Weight
004404.3000/827	3000 lm	24 W	2700 K	Ra > 80	50,000 h	9,00kg
004404.3000/830	3000 lm	23 W	3000 K	Ra > 80	50,000 h	9,00kg
004404.3000/840	3000 lm	21 W	4000 K	Ra > 80	50,000 h	9,00kg
004404.4500/830	4500 lm	36 W	3000 K	Ra > 80	50,000 h	9,00kg
004404.4500/840	4500 lm	33 W	4000 K	Ra > 80	50,000 h	9,00kg
004404.3000/927	3000 lm	28 W	2700 K	Ra > 90	50,000 h	9,00kg
004404.3000/930	3000 lm	28 W	3000 K	Ra > 90	50,000 h	9,00kg
004404.3000/940	3000 lm	25 W	4000 K	Ra > 90	50,000 h	9,00kg
004404.4500/927	4500 lm	46 W	2700 K	Ra > 90	50,000 h	9,00kg
004404.4500/930	4500 lm	44 W	3000 K	Ra > 90	50,000 h	9,00kg
004404.4500/940	4500 lm	40 W	4000 K	Ra > 90	50,000 h	9,00kg
004404.3000/930CW	3000 lm	34 W	3000 K	Ra > 90	50,000 h	9,00kg
004404.3800/930CW	3800 lm	42 W	3000 K	Ra > 90	50,000 h	9,00kg
004404.2800/925FW	3000 lm	42 W	2900 K	Ra > 90	50,000 h	9,00kg
004404.3000/930FR	3000 lm	42 W	3150 K	Ra > 80	50,000 h	9,00kg

\* Different lumen output or wattage available on request.

\* System power consumption (LED module & driver) depends on components used. Contact us for detailed information.

IP20

230 V  
50 Hz

