



## Argostar 1 susp. with cable

Due to the technological advancement achieved by our company, we have been able to create a spotlight for interior lighting. Thanks to the special process used to make the cone, the spotlight's diffused light provides a no-glare illumination suitable for any architectural context.

Housing: High-temperature resistant thermoplastic material. Includes a spherical polycarbonate cone diffuser.

Lampholder: Polycarbonate with phosphor bronze contacts

Electric gear: 230V-50Hz power supply; 2 pole wire, 0.75 sqmm cross section. 2P terminal block (maximum allowed lead cross section 2.5 sqmm.)

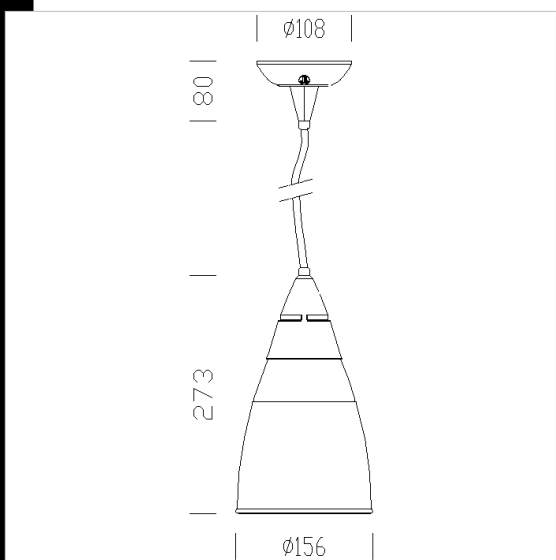
Regulations: Manufactured in accordance with standards EN60598 – CEI 34 –21. Degree of protection in accordance with standards EN60529.

Coloured ring supplied separately. With cable L=1.50 cm.

### Download

DXF 2D  
- 70072.dxf

Montaggi  
- argostar.pdf



Code	Gear	Kg	Watt	Base	Lamps	Colour
22070072-00	CLD S	0,65	LED white 9W		800lm-2700K-CRI 80	SILVER
22070074-00	CLD S	0,75	LED white 9W		800lm-2700K-CRI 80	SILVER