

GLO SPOT



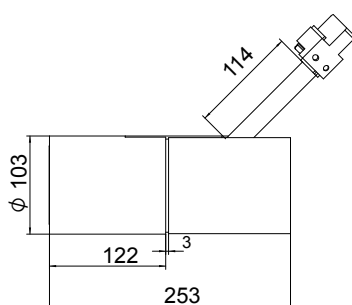
Spot lamp for LED module.

Body is made of steel and aluminium and it is available in all RAL colours. Light source - Philips, Osram or Tridonic LED module. Standard EVG ballast.

High quality, energy efficient white LED light with CRI 80 and more. Product is also available with special application LED modules: CrispWhite, Food WarmWhite, Food PremiumRed and many others - details on request.

Applications:

- Retail: shop windows, wall - washing, accent and display lighting
- Hospitality: lobbies, reception areas
- Recreation: museums, galleries, theatres



Index no.	Lumen output	Wattage	Colour temp.	Colour rendering index	Lifetime	Weight
004768.2000/827	2000 lm	16 W	2700 K	Ra > 80	50,000 h	1,90 kg
004768.2000/830	2000 lm	15 W	3000 K	Ra > 80	50,000 h	1,90 kg
004768.2000/840	2000 lm	14 W	4000 K	Ra > 80	50,000 h	1,90 kg
004768.3000/827	3000 lm	24 W	2700 K	Ra > 80	50,000 h	1,90 kg
004768.3000/830	3000 lm	23 W	3000 K	Ra > 80	50,000 h	1,90 kg
004768.3000/840	3000 lm	21 W	4000 K	Ra > 80	50,000 h	1,90 kg
004768.2000/927	2000 lm	19 W	2700 K	Ra > 90	50,000 h	1,90 kg
004768.2000/930	2000 lm	19 W	3000 K	Ra > 90	50,000 h	1,90 kg
004768.2000/940	2000 lm	17 W	4000 K	Ra > 90	50,000 h	1,90 kg
004768.3000/927	3000 lm	28 W	2700 K	Ra > 90	50,000 h	1,90 kg
004768.3000/930	3000 lm	28 W	3000 K	Ra > 90	50,000 h	1,90 kg
004768.3000/940	3000 lm	25 W	4000 K	Ra > 90	50,000 h	1,90 kg
004768.3000/930CW	3000 lm	34 W	3000 K	Ra > 90	50,000 h	1,90 kg
004768.3800/930CW	3800 lm	42 W	3000 K	Ra > 90	50,000 h	1,90 kg
004768.2800/925FW	3000 lm	42 W	2900 K	Ra > 90	50,000 h	1,90 kg
004768.3000/930FR	3000 lm	42 W	3150 K	Ra > 80	50,000 h	1,90 kg

* Different lumen output or wattage available on request.
 * System power consumption (LED module & driver) depends on components used. Contact us for detailed information.
 * Available with spot, medium or flood reflectors.

