

Jolly 2



Flexibility, saving and light quality.

These are the strengths of this new track-mounted spotlight incorporating latest generation LEDs. In addition to colour temperatures ranging between 3000K and 4000K, it has a long service life (50,000 hours) and excellent luminous flux maintenance. Anti-glare, screened optics without UV emissions are important features for the lighting of stores, showrooms and commercial centres.

Housing: in die-cast aluminium with bayonet-like closure for easy maintenance.
Reflector: in 99.99 aluminium

Coating: UV-resistant polyester epoxy powder coating.

Equipment: adjustable around its vertical axis from 0° to 355°

Regulations: Produced according to applicable EN60598-1 CEI 34-21 standards, degree of protection according to EN 60529 standards.

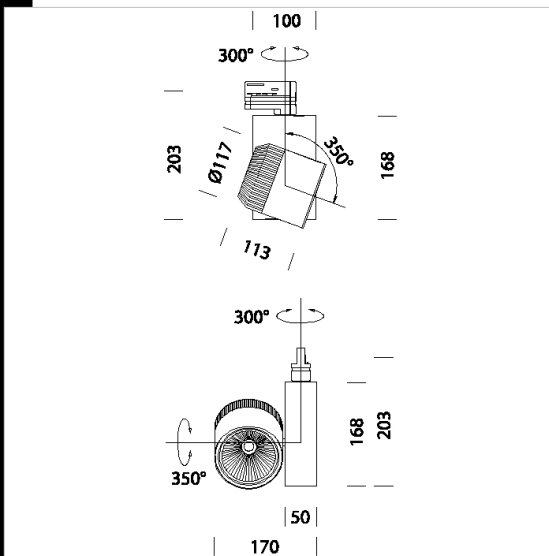
Universal Adapter

LED: 3000/4000K - 4300/4500lm - 21/39/75° - 28W - CRI 92

Luminous flux maintenance 70% 50000h (L70B50)

Power factor: >0,97

Photobiological safety class: exempt group EN62471.



Code	Gear	Kg	Watt	Base	Lamps	Colour
22102313-00	CLD CELL	1,45	LED COB 28W		4300lm-3000K - 39°-CRI 92	WHITE
22102373-00	CLD CELL	1,45	LED COB 28W		4300lm-3000K - 39°-CRI 92	SILVER
22102314-00	CLD CELL	1,55	LED COB 28W		4500lm-4000K - 39°-CRI 92	WHITE
22102374-00	CLD CELL	1,45	LED COB 28W		4500lm-4000K - 39°-CRI 92	SILVER
22102311-00	CLD CELL	1,50	LED COB 28W		4300lm-3000K - 21°-CRI 92	WHITE
22102312-00	CLD CELL	1,55	LED COB 28W		4500lm-4000K - 21°-CRI 92	WHITE
22102372-00	CLD CELL	1,45	LED COB 28W		4500lm-4000K - 21°-CRI 92	SILVER
22102371-00	CLD CELL	1,45	LED COB 28W		4300lm-3000K - 21°-CRI 92	SILVER
22102315-00	CLD CELL	1,50	LED COB 28W		4300lm-3000K - 75°-CRI 92	WHITE
22102375-00	CLD CELL	1,50	LED COB 28W		4300lm-3000K - 75°-CRI 92	SILVER
22102316-00	CLD CELL	1,55	LED COB 28W		4500lm-4000K - 75°-CRI 92	WHITE
22102376-00	CLD CELL	1,46	LED COB 28W		4500lm-4000K - 75°-CRI 92	SILVER

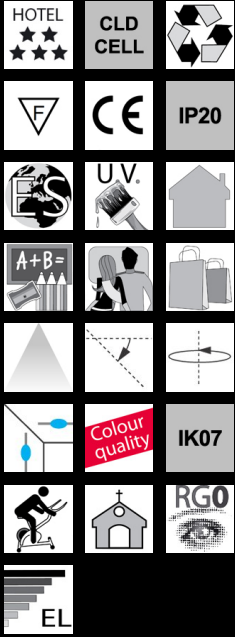
Accessories



- Universal adapter recessed



- Universal adapter base



Download

DXF 2D
- jp2.dxf