

Jolly 1

Flexibility, saving and light quality.

These are the strengths of this new track-mounted spotlight incorporating latest generation LEDs. In addition to colour temperatures ranging between 3000K and 4000K, it has a long service life (50,000 hours) and excellent luminous flux maintenance. Anti-glare, screened optics without UV emissions are important features for the lighting of stores, showrooms and commercial centres.

Housing: in die-cast aluminium with bayonet-like closure for easy maintenance.
Reflector: in 99.99 aluminium

Coating: UV-resistant polyester epoxy powder coating.

Equipment: adjustable around its vertical axis from 0° to 355°

Regulations: Produced according to applicable EN60598-1 CEI 34-21 standards, degree of protection according to EN 60529 standards.

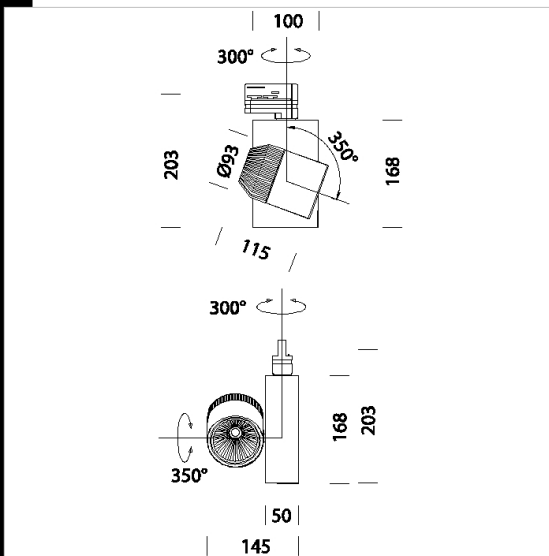
Universal Adapter

LED: 3000/4000K - 2900/3000lm - 30° - 25W - CRI 92

Luminous flux maintenance 70% 50000h (L70B50)

Power factor: >0,95

Photobiological safety class: exempt group EN62471.



Code	Gear	Kg	Watt	Base	Lamps	Colour
22102111-00	CLD CELL	1,45	LED COB 25W		3000lm-4000K - 30°-CRI 92	WHITE
22102110-00	CLD CELL	1,45	LED COB 25W	-	2900lm-3000K - 30°-CRI 80	WHITE

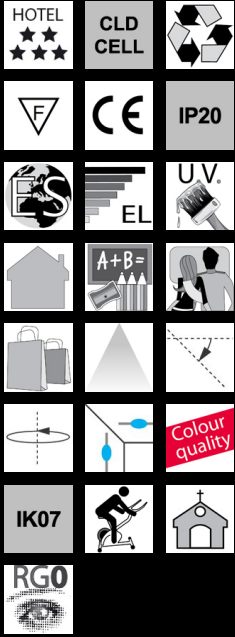
Accessories



- Universal adapter recessed



- Universal adapter base



Download

DXF 2D
- jo1.dxf