

## Krypton 2

Krypton LED is Fosnova's new completely adjustable track-mounted spotlight equipped with a universal adapter: it is the perfect product for a tailor made lighting system that can enhance any setting. Equipped with a reflector in efficient high-gloss aluminium, it comes with latest generation LEDs with wattages from 20 to 40W. With a wide lumen range (from 2000 to 4000 lm) they guarantee long lamp life (50000 hours) and excellent flux maintenance. The new LED spotlights enable designers to create even more sophisticated and especially low energy lighting systems.

Housing: in die-cast aluminium.

Reflector: in die-cast polished aluminium, high efficiency and anti-glare.

Coating: UV-resistant polyester epoxy powder coating.

Equipment: adjustable around its vertical axis from 0° to 355°

Standard: manufactured pursuant to EN 60598-1-CEI 34.21 and with a degree of protection pursuant to EN 60529.

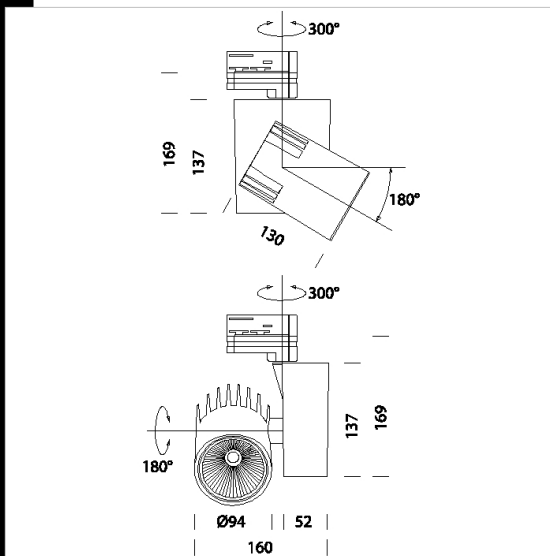
Universal Adapter

LED: 3000/4000K - 3600lm - 32W - CRI 92 - 45°

LED: Luminous flux maintenance L70B50: 50.000h.

Power factor >0.9

Photobiological safety class: exempt group EN62471.



### Download

DXF 2D

- krypton2.dxf

3DS

- fosnova\_krypton\_2.3ds

3DM

- fosnova\_krypton\_2.3dm

Code	Gear	Kg	Watt	Base	Lamps	Colour
22104110-00	CLD CELL	1,20	LED COB 32W		3600lm-3000K - 45°-CRI 92	WHITE
22104111-00	CLD CELL	1,20	LED COB 32W		3600lm-4000K - 45°-CRI 92	WHITE
22104130-00	CLD CELL	1,20	LED COB 32W		3600lm-3000K - 45°-CRI 92	BLACK
22104131-00	CLD CELL	1,20	LED COB 32W		3600lm-4000K - 45°-CRI 92	BLACK

### Accessories



- Universal adapter recessed



- Universal adapter base



- Power adapter DIMM-DALI