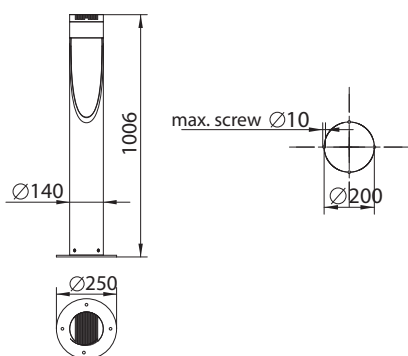


LED PULLERT



Outdoor LED park luminaire. Light source - Philips, Osram or Tridonic LED module. Body is made of aluminium and it is available in all RAL colours.



Index no.	Lumen output	Wattage	Colour temp.	Colour rendering index	Lifetime	Weight
003939.1100/827	1100 lm	9 W	2700 K	Ra > 80	50,000 h	10,00 kg
003939.1100/830	1100 lm	9 W	3000 K	Ra > 80	50,000 h	10,00 kg
003939.1100/840	1100 lm	8 W	4000 K	Ra > 80	50,000 h	10,00 kg
003939.2000/827	2000 lm	16 W	2700 K	Ra > 80	50,000 h	10,00 kg
003939.2000/830	2000 lm	15 W	3000 K	Ra > 80	50,000 h	10,00 kg
003939.2000/840	2000 lm	14 W	4000 K	Ra > 80	50,000 h	10,00 kg

* System power consumption (LED module & driver) depends on components used. Contact us for detailed information.

IP65

230 V
50 Hz

