

Eco Lex 3 LED

Eco Lex LED is a new series of recessed spotlights that combines advanced technology and energy savings with an easy-to-install, low cost, robust and durable fixture. Available in three sizes with a diam. of 100, 164, 192, 220 mm, they cover a wide range of cutout holes.

Housing: in die cast aluminium

Diffuser: The shield consists of a laser-cut slab that serves as a lens for its effect of concentric circles. These decorations create a pattern, with variable distances; the closer they get to the centre, the closer they come together achieving excellent visual comfort without glare

Painting: dust painted, using polyester epoxy paint to withstand UV rays.

Standard supply: Includes adjustable steel bracket.

Regulations: Manufactured in accordance with standards EN60598 – CEI 34 –21. Degree of protection in accordance with standards EN60529.

LED: high-efficiency light sources 2150/2190lm - 20W - 3000/4000K - CRI 80.

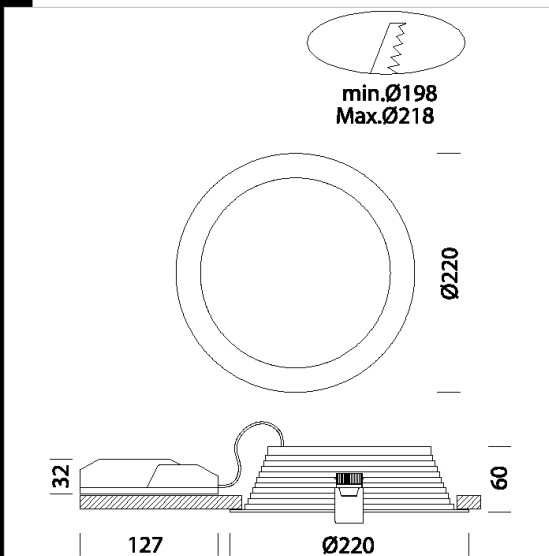
DIM IGBT

Power factor: 0.9

Photobiological safety class: Exempt group.

Luminous flux maintenance 70%: 40.000h (L70B50).

recessed Ø 198/216mm



Code	Gear	Kg	Watt	Base	Lamps	Colour
22172916-00	CLD CELL	0,75	LED white 20W	-	2190lm-4000K-CRI 80	WHITE
22172906-00	CLD CELL	0,75	LED white 20W	-	2150lm-3000K-CRI 80	WHITE

Accessories



- Protective grig - Eco Lex

Download

DXF 2D
- ecolex3.dxf

Montaggi
- ecolexled.pdf