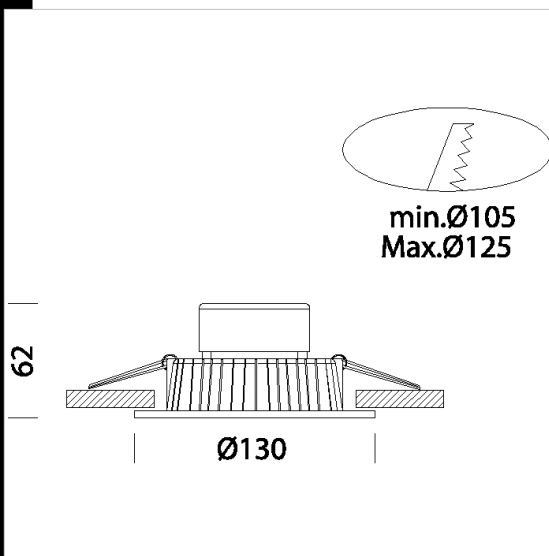


## Energy 2130 LED - DIMM

Housing: in die-cast aluminium.  
 Diffuser: panel in PMMA, 6 mm thick, with laser silk-screening suitably dimensioned based on the power level of the LED  
 Painting: dust painted, using polyester epoxy paint to withstand UV rays.  
 Standard supply: Includes adjustable steel bracket.  
 Regulations: Manufactured in accordance with standards EN60598 – CEI 34 –21. Degree of protection in accordance with standards EN60529.  
 LED: high-efficiency light sources 980/1050lm - 11W - 3000/4000K - CRI 80 - DIM IGBT (dimmer must be equipped with adjustment for minimum brightness level)  
 Power factor: 0.9  
 Photobiological safety class: Exempt group.  
 Luminous flux maintenance 70%: 40.000h (L70B50).  
 recessed Ø 105/125mm



| Code        | Gear        | Kg   | Watt         | Base | Lamps               | Colour |
|-------------|-------------|------|--------------|------|---------------------|--------|
| 22172310-00 | CLD CELL-DI | 0,45 | LED white 9W | -    | 980lm-3000K-CRI 90  | WHITE  |
| 22172313-00 | CLD CELL-DI | 0,25 | LED white 9W | -    | 1050lm-4000K-CRI 90 | WHITE  |

### Accessories



- Presence and light sensor

- HOTEL
- Recycling
- CE
- UV
- Hand icon
- Home icon
- Energy efficiency
- A+B=
- Person icon
- Shopping cart
- IK07
- v.l. IP44
- Shopping cart
- CLD CELL-D
- Person on bike
- RG0
- v.a. IP20

Download  
 DXF 2D  
 - energy2130.dxf  
 Montaggi  
 - energy\_.pdf