

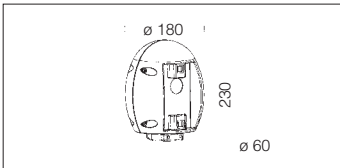


Housing/Frame: in die-cast aluminium, can be installed using acc. hook, rods or arms.

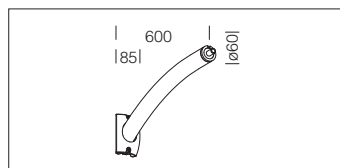
Diffuser: tempered glass, 5 mm thick, resistant to thermal shock and impacts.

Coating: In several stages. epoxy cationic electrocoating, resistant to corrosive and saline environments, UV stabilising priming; lastly a rough finish with frosted silver.

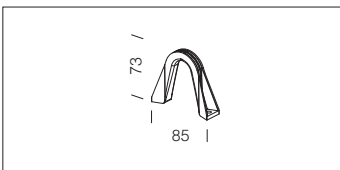
Accessories



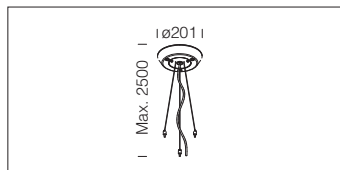
acc. 300 Oliva connector	
s. silver	426970-00
Made of aluminium. To be installed on ø60.	



acc. 382 curved arm	
s. silver	326506-00
To be used with access. 300 for Iride installation.	

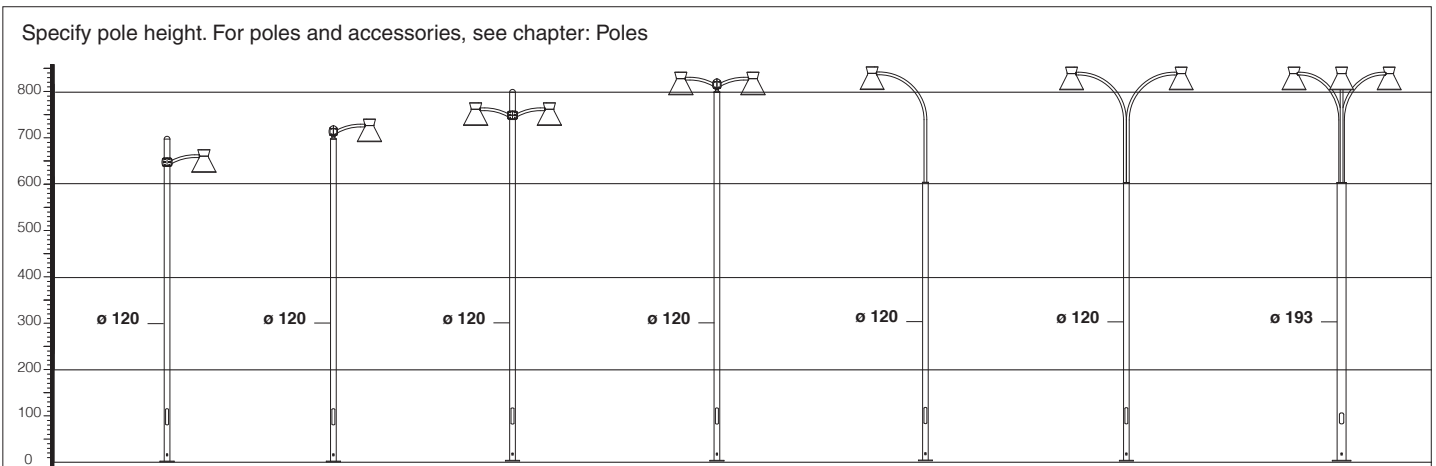


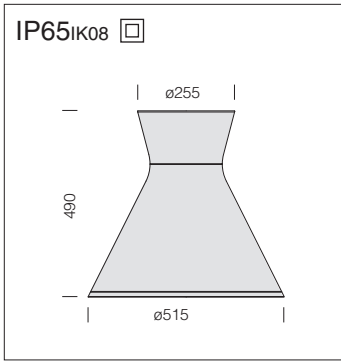
acc. 329 susp. connection	
s. silver	998060-00
Die-cast aluminium. Always to be used for suspended applications	



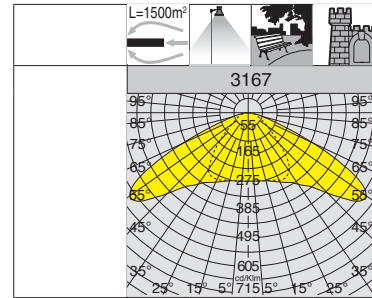
acc. 380 suspension	
s. silver	326500-00
Die-cast aluminium. Supplied with three steel cable. To be used with direct/ indirect light fixtures..	

Specify pole height. For poles and accessories, see chapter: Poles



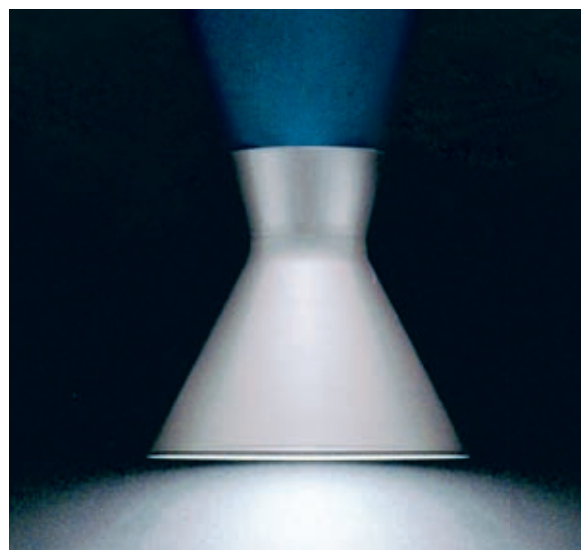
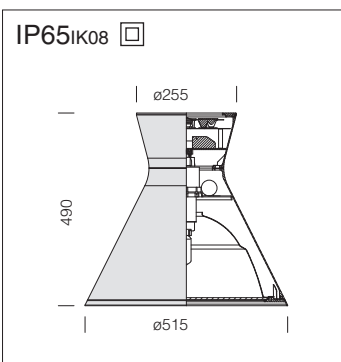


Standard supply: Safety diode to protect against voltage peaks compliant with EN 61547. With dedicated electronic device to protect the LED module.



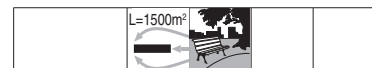
3167 Iride - direct light					
		CLD CELL		LED (Tj=25°C)	
wattage (350mA)	colour	weight	code	W	K - ølm 350mA - CRI
LED	s. silver	11,50	326571-00	40	4000K - 6468lm - CRI>70

On request: possibility to control each individual light point (see table on p. XVII).



Supplied complete with Master/ Slave and IR receiver.

Standard supply: With dedicated electronic device to protect the LED module.



3166 Iride - direct/indirect light with LED FULLCOLOR					
		CNRL + CLD CELL		LED (Tj=25°C)	
wattage (350mA)	colour	weight	code	W	ølm 350mA
CDO-TT150 + LED FULLCOLOR	s. silver	11,50	326570-00	150 + 4x3,3	R=40lm - G=90lm - B=30lm

On request: possibility to control each individual light point (see table on p. XVII).

acc. 65 LED Fullcolor Remote control	
black	986507-00

On-Off function, mixing and colour transition.