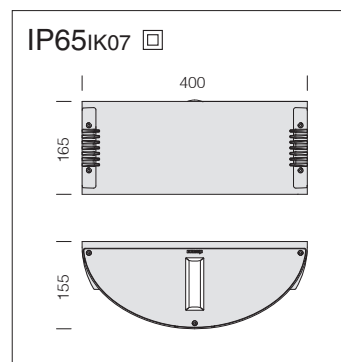
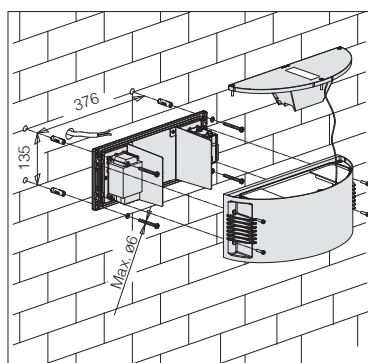
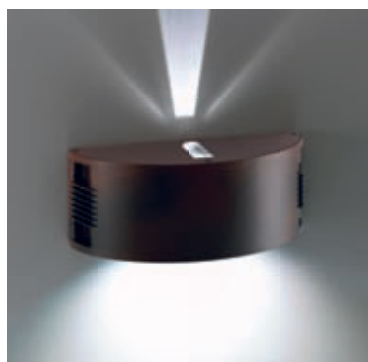




Housing/Frame: in die-cast aluminium.

Diffuser: in tempered glass, 8 mm thick, thermal shock and impact resistant.

LED: Luminous flux maintenance 70% 50.000h (L70B50)
Power factor ≥ 0.9



1279 Onda - direct/indirect light with lens					
		CLD CELL		W	LED (Tj=85°C)
wattage (700mA)	colour	weight	code		K - ϕ lm 700mA - CRI
LED	white	3.60	420322-00	15,4	4000K - 240lm + 1440lm - CRI ≥ 70
LED	s. silver	3.60	420324-00		
LED	graphite	3.60	420325-00		
LED	corten	3.60	420322-2191		

Incorporated power supply 220-240V 50/60 Hz.