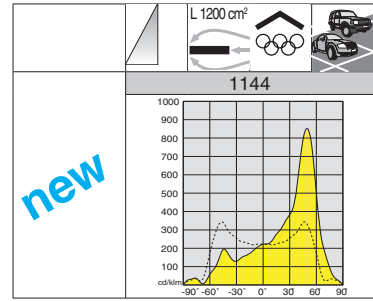


Housing/Frame: in die-cast aluminium, with cooling fins.

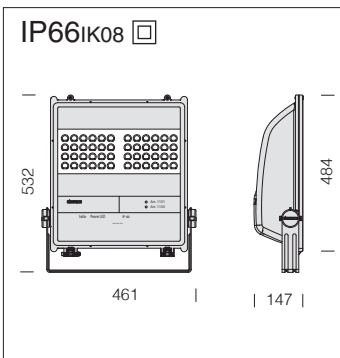
Diffuser: in tempered glass, 5 mm thick, resistant to thermal shock and impacts.

Optics: in PMMA, highly resistant to temperature and UV radiation.

LED: Luminous flux maintenance 80% 50.000h (L80B20).
Power factor ≥ 0.9



1144 Litio - asymmetric					
		CLD CELL		W	LED (Tj=25°C)
wattage (700mA)	colour	weight	code		K - ølm 700mA - CRI
LED	graphite	4.90	313369-00	47	4000K - 7080lm - CRI ≥ 70

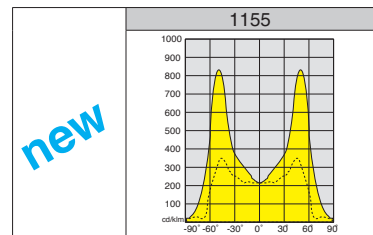
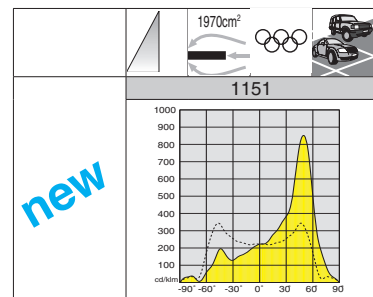


Housing/Frame: in die-cast aluminium, with cooling fins.

Diffuser: in tempered glass, 5 mm thick, resistant to thermal shock and impacts.

Optics: in PMMA, highly resistant to temperature and UV radiation

LED: Luminous flux maintenance 80% 50.000h (L80B20).
Power factor ≥ 0.9



1151 Indio - asymmetric					
		CLD CELL		W	LED (Tj=25°C)
wattage (700mA)	colour	weight	code		K - ølm 700mA - CRI
LED	graphite	9.40	413821-00	94	4000K - 14160lm - CRI ≥ 70

1155 Indio - symmetric					
		CLD CELL		W	LED (Tj=25°C)
wattage (700mA)	colour	weight	code		K - ølm 700mA - CRI
LED	graphite	9.40	413822-00	94	4000K - 14160lm - CRI ≥ 70

