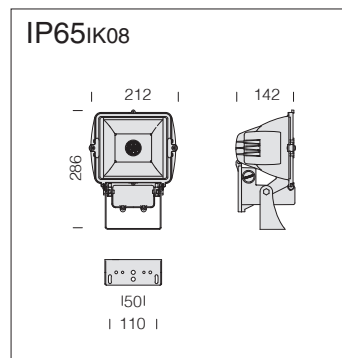
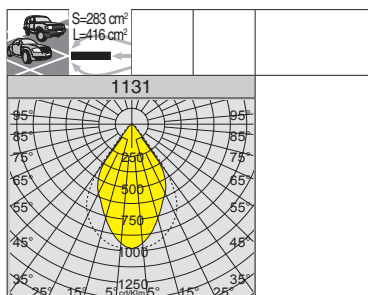


Housing: in die-cast aluminium.
Reflector: in high-grade 99,99 hammered aluminium with PVD treatment.
Diffuser: tempered glass, resistant to impact and thermal shock.
LED: Luminous flux maintenance 70%: 50.000h (L70B50) .
 Power factor ≥ 0.9

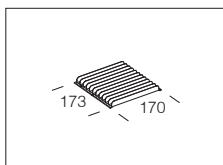
1130 Punto					
		CLD CELL			LED (Tp=55°C)
wattage (230V)	colour	weight	code	W	K - ϕ lm 230V - CRI
LED COB	graphite	1.80	413748-00	20	4000K - 1900lm - CRI ≥ 80
LED COB	s. silver	1.80	413749-00		



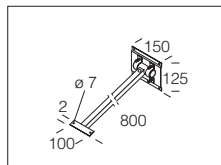
LED: Luminous flux maintenance 70%: 50.000h (L70B50).
 Power factor ≥ 0.9

1131 Punto					
		CLD CELL			LED (Tp=25°C)
wattage/W	colour	weight	code	W	K - ϕ lm - CRI
LED COB	s. silver	1.80	413751-00	25	4000K - 3000lm - CRI 90
LED COB	graphite	1.80	413750-00		
LED COB	s. silver	1.80	413753-00	37	4000K - 4700lm - CRI 90
LED COB	graphite	1.80	413752-00		

acc. 1134 louvre
 black | 413605-00
 Made of steel. To reduce glare effect and improve light control. Made of powder-coated steel.



acc. 41 arm
 graphite | 995506-00
 s. silver | 995507-00
 Adjustable-angle arm galvanized steel.



acc. 1133 shutter
 black | 413604-00
 Made of powder-coated steel. To direct the light beam.

