

Snow 2 - IP65

Whether in the round or square version, this recessed LED spotlight is the perfect solution for installations that are designed to hide their physical presence once fitted.

These spotlights are shaped to blend perfectly into the false ceilings where they are fitted.

Housing: in die-cast aluminium with heat sink.

Coating: epoxy polyester powder coating resistant to UV rays.

Reflector: anti-glare shield with lens for controlling luminous intensity distribution.

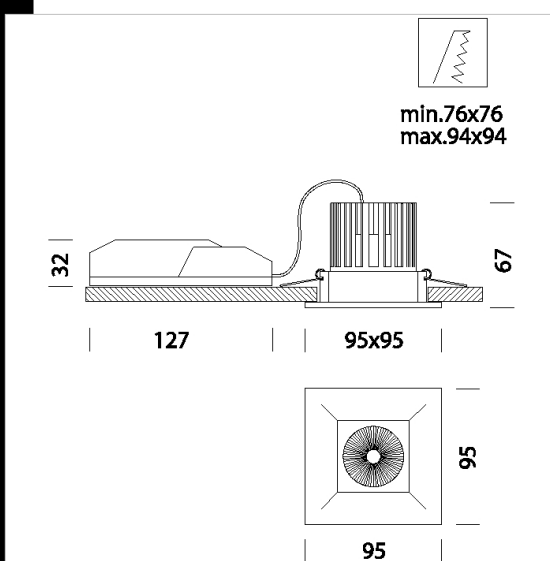
Standard gear: complete with nuts and screws in anti-corrosion stainless steel. Silicone rubber protection gasket compliant with French low-energy building standards (BBC).

Standards: manufactured pursuant to EN 60598-1-CEI 34.21 and with a degree of protection pursuant to EN 60529.

Photobiological safety class: exempt group EN62471.

LED: 80% luminous flux maintenance at 80%: 50.000h (L80B20).

Fitting hole: diameter 76/94 mm.



Code	Gear	Kg	Lumen Output-K-CRI	WTot	Colour
22082710-00	CLD CELL	0,34	LED COB-1070lm-3000K-38°-CRI 90	13 W	BIANCO
22082770-00	CLD CELL	0,35	LED COB-1070lm-3000K-38°-CRI 90	12 W	ARGENTO
22082710-68	CLD CELL	0,35	LED COB-1145lm-4000K-38°-CRI 90	12 W	BIANCO
22082770-68	CLD CELL	0,35	LED COB-1145lm-4000K-38°-CRI 90	12 W	ARGENTO
22082710-1241	CLD CELL-D-D	0,35	LED COB-1070lm-3000K-38°-CRI 90	12 W	BIANCO
22082770-1241	CLD CELL-D-D	0,39	LED COB-1070lm-3000K-38°-CRI 90	12 W	ARGENTO
22082710-6841	CLD CELL-D-D	0,35	LED COB-1145lm-4000K-38°-CRI 90	12 W	BIANCO
22082770-6841	CLD CELL-D-D	0,35	LED COB-1145lm-4000K-38°-CRI 90	12 W	ARGENTO



Download

DXF 2D
- snow2.dxf

Montaggi
- SNOW_1-2 rev5.pdf

The reported luminous flux is the flux emitted by the light source with a tolerance of $\pm 10\%$ compared to the indicated value. The W tot column indicates the total wattage absorbed by the system without exceeding 10% of the indicated