

Eco Lex 3

Eco Lex LED is a new series of recessed spotlights that combines advanced technology and energy savings with an easy-to-install, low cost, robust and durable fixture. Available in three sizes with a diam. of 100, 164, 192, 220 mm, they cover a wide range of cutout holes.

Housing: in die cast aluminium

Diffuser: The shield consists of a laser-cut slab that serves as a lens for its effect of concentric circles. These decorations create a pattern, with variable distances; the closer they get to the centre, the closer they come together achieving excellent visual comfort without glare

Painting: dust painted, using polyester epoxy paint to withstand UV rays.

Standard supply: Includes adjustable steel bracket.

Regulations: Manufactured in accordance with standards EN60598 – CEI 34 –21. Degree of protection in accordance with standards EN60529.

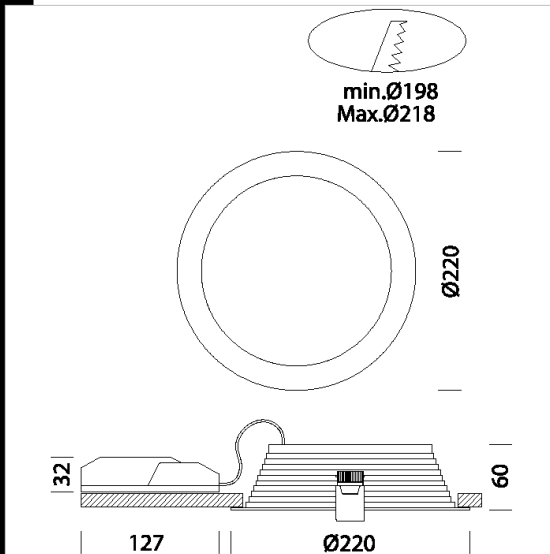
DIM IGBT

Power factor: 0.9

Photobiological safety class: Exempt group.

Luminous flux maintenance 80%: 50.000h (L80B20).

recessed Ø 198/216mm



Download

DXF 2D
- ecolex3.dxf

Montaggi
- ECO_LEX rev10.pdf

| Code | Gear | Kg | Lumen Output-K-CRI | WTot | Colour |
|---------------|---------------|------|-------------------------|------|--------|
| 22172916-00 | CLD CELL-DI | 0.75 | LED-2190lm-4000K-CRI 90 | 21 W | BIANCO |
| 22172906-00 | CLD CELL-DI | 0.75 | LED-2070lm-3000K-CRI 90 | 21 W | BIANCO |
| 22172916-1241 | CLD CELL-D-D | 0.75 | LED-2190lm-4000K-CRI 90 | 23 W | BIANCO |
| 22172906-1241 | CLD CELL-D-D | 0.71 | LED-2070lm-3000K-CRI 90 | 23 W | BIANCO |
| 22172916-09 | CLD CELL-DI-E | 1.30 | LED-2190lm-4000K-CRI 90 | 23 W | BIANCO |
| 22172906-09 | CLD CELL-DI-E | 1.24 | LED-2070lm-3000K-CRI 90 | 23 W | BIANCO |
| 22172916-31 | CLD CELL-DI-E | 1.30 | LED-2190lm-4000K-CRI 90 | 21 W | BIANCO |
| 22172906-31 | CLD CELL-DI-E | 1.30 | LED-2070lm-3000K-CRI 90 | 21 W | BIANCO |

Accessories



- Protective grig - Eco Lex

The reported luminous flux is the flux emitted by the light source with a tolerance of $\pm 10\%$ compared to the indicated value. The W tot column indicates the total wattage absorbed by the system without exceeding 10% of the indicated