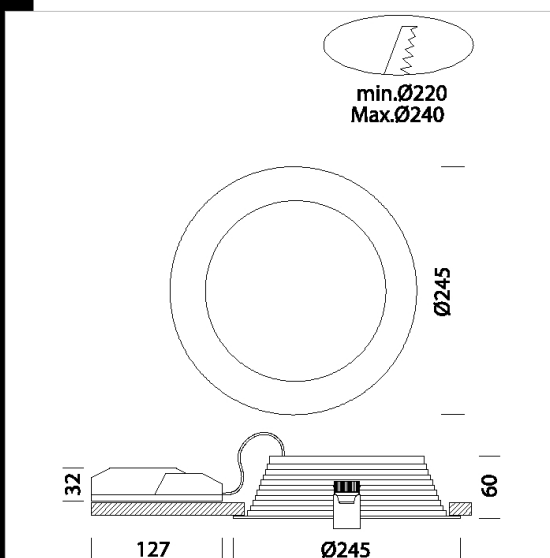


## Eco Lex 6 - CRI 95



Housing: in die cast aluminium  
 Diffuser: The shield consists of a laser-cut slab that serves as a lens for its effect of concentric circles. These decorations create a pattern, with variable distances; the closer they get to the centre, the closer they come together achieving excellent visual comfort without glare  
 Painting: dust painted, using polyester epoxy paint to withstand UV rays.  
 Standard supply: Includes adjustable steel bracket.  
 Regulations: Manufactured in accordance with standards EN60598 – CEI 34 –21. Degree of protection in accordance with standards EN60529.  
 DIMM IGBT.  
 Power factor: 0.9  
 Photobiological safety class: Exempt group.  
 Luminous flux maintenance 80%: 50.000h (L80B20).  
 recessed Ø 220/240mm



Code	Gear	Kg	Lumen Output-K-CRI	WTot	Colour
22174901-00	CLD CELL-DI	0,98	LED-2036lm-4000K-CRI 95	21 W	BIANCO
22174902-00	CLD CELL-DI	1,02	LED-1893lm-3000K-CRI 95	21 W	BIANCO
22174901-1241	CLD CELL-D-D	0,96	LED-2036lm-4000K-CRI 95	21 W	BIANCO
22174902-1241	CLD CELL-D-D	1,02	LED-1893lm-3000K-CRI 95	23 W	BIANCO
22174901-09	CLD CELL-DI-E	0,98	LED-2036lm-4000K-CRI 95	21 W	BIANCO
22174902-09	CLD CELL-DI-E	1,48	LED-1893lm-3000K-CRI 95	23 W	BIANCO
22174901-31	CLD CELL-DI-E	1,50	LED-2036lm-4000K-CRI 95	21 W	BIANCO
22174902-31	CLD CELL-DI-E	1,50	LED-1893lm-3000K-CRI 95	21 W	BIANCO

### Accessori



- Protective grig - Eco Lex



### Download

DXF 2D  
 - ecolex6.dxf

Montaggi  
 - ECO\_LEX rev10.pdf

The reported luminous flux is the flux emitted by the light source with a tolerance of ± 10% compared to the indicated value. The W tot column indicates the total wattage absorbed by the system without exceeding 10% of the indicated