

## Vision 2.0 big L - Long - Universal adapter

A new family of floodlights covering the widest range of sources and lighting design needs for perfect optical control of the light beams.

A series of fixtures designed to satisfy the most widely differing architectural lighting and display needs, with performance in mind and using the most innovative light sources to ensure excellent visual comfort.

The highest performance components are contained in an extruded aluminium housing with through chambers which permit optimised heat exchange by conductive and convective dispersion thus increasing the performance and reliability of the floodlights. The movable L-shaped supporting rod permits optimised balancing of the fixture whatever its configuration.

The direction can be precisely controlled and the light beam accurately aimed using the radial micrometric scale.

Modern lighting design increasingly often demands excellent aesthetic results. When a product maintains the same aesthetic design, it becomes increasingly important to have various types of light source to choose from. Vision has thus been created to satisfy any need. In fact, a single housing guarantees application continuity even when using different optical units and lamps, and is ideal for use in places where, when accent lighting is required, the quality of the light output must be differentiated.

Housing: Die-cast aluminium with cooling holes.

Reflector: in die-cast aluminium, high efficiency and anti-glare.

Coating: Power-coated with a UV-resistant polyester paint.

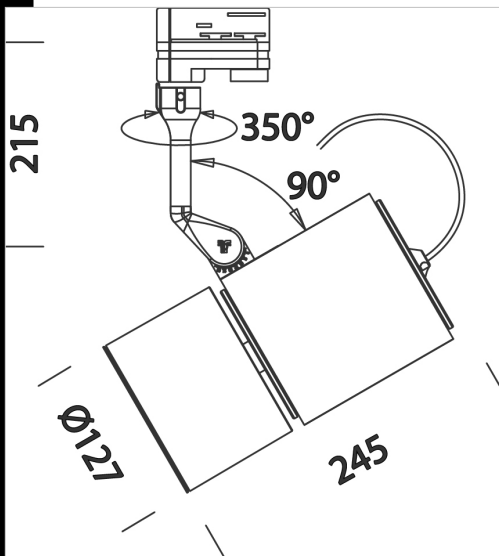
Regulations: Manufactured in accordance with EN 60598-1-CEI 34.21 standards. Degree of protection in accordance with EN60529 standards.

Luminous flux maintenance 80%: 50.000h (L80B20).

Power factor >0.95

Photobiological safety class: exempt group EN62471.

design: A.Pedretti (Studio Rota & partner)



Download  
DXF 2D  
- 702913.dxf  
Montaggi  
- vision2.0.pdf

Code	Gear	Kg	Lumen Output-K-CRI	WTot	Colour
22702913-00	CLD CELL	2.13	LED COB-4655lm-3000K-74°-CRI 92	45 W	BIANCO
22702933-00	CLD CELL	2.13	LED COB-4655lm-3000K-74°-CRI 92	45 W	NERO
22702973-00	CLD CELL	2.12	LED COB-4655lm-3000K-74°-CRI 92	45 W	ARGENTO
22702913-22	CLD CELL	2.10	LED COB-4589lm-3000K-20°-CRI 92	47 W	BIANCO
22702933-22	CLD CELL	2.10	LED COB-4589lm-3000K-20°-CRI 92	47 W	NERO
22702973-22	CLD CELL	2.10	LED COB-4589lm-3000K-20°-CRI 92	47 W	ARGENTO
22702913-0089	CLD CELL	2.15	LED COB-4438lm-3000K-37°-CRI 92	45 W	BIANCO
22702933-0089	CLD CELL	2.10	LED COB-4438lm-3000K-37°-CRI 92	47 W	NERO
22702973-0089	CLD CELL	2.15	LED COB-4438lm-3000K-37°-CRI 92	45 W	ARGENTO
22702913-1241	CLD CELL-D-D	2.16	LED COB-4655lm-3000K-74°-CRI 92	45 W	BIANCO
22702933-1241	CLD CELL-D-D	2.13	LED COB-4655lm-3000K-74°-CRI 92	45 W	NERO
22702973-1241	CLD CELL-D-D	2.15	LED COB-4655lm-3000K-74°-CRI 92	45 W	ARGENTO
22702913-68	CLD CELL	2.14	LED COB-4981lm-4000K-74°-CRI 92	46 W	BIANCO
22702933-68	CLD CELL	2.13	LED COB-4981lm-4000K-74°-CRI 92	45 W	NERO
22702973-68	CLD CELL	2.12	LED COB-4981lm-4000K-74°-CRI 92	45 W	ARGENTO
22702913-6841	CLD CELL-D-D	2.16	LED COB-4981lm-4000K-74°-CRI 92	45 W	BIANCO
22702933-6841	CLD CELL-D-D	2.13	LED COB-4981lm-4000K-74°-CRI 92	45 W	NERO
22702973-6841	CLD CELL-D-D	2.15	LED COB-4981lm-4000K-74°-CRI 92	45 W	ARGENTO
22703413-00	CLD CELL	2.04	LED COB-5217lm-3000K-74°-CRI 92	54 W	BIANCO
22703433-00	CLD CELL	2.16	LED COB-5217lm-3000K-74°-CRI 92	54 W	NERO
22703473-00	CLD CELL	2.03	LED COB-5217lm-3000K-74°-CRI 92	54 W	ARGENTO
22703413-1241	CLD CELL-D-D	2.17	LED COB-5217lm-3000K-74°-CRI 92	53 W	BIANCO
22703433-1241	CLD CELL-D-D	2.13	LED COB-5217lm-3000K-74°-CRI 92	53 W	NERO
22703473-1241	CLD CELL-D-D	2.13	LED COB-5217lm-3000K-74°-CRI 92	53 W	ARGENTO
22703413-68	CLD CELL	2.04	LED COB-5592lm-4000K-74°-CRI 92	54 W	BIANCO
22703433-68	CLD CELL	2.13	LED COB-5592lm-4000K-74°-CRI 92	54 W	NERO
22703473-68	CLD CELL	2.14	LED COB-5592lm-4000K-74°-CRI 92	54 W	ARGENTO
22703413-6841	CLD CELL-D-D	2.17	LED COB-5592lm-4000K-74°-CRI 92	53 W	BIANCO
22703433-6841	CLD CELL-D-D	2.15	LED COB-5592lm-4000K-74°-CRI 92	54 W	NERO
22703473-6841	CLD CELL-D-D	2.13	LED COB-5592lm-4000K-74°-CRI 92	53 W	ARGENTO

The reported luminous flux is the flux emitted by the light source with a tolerance of ± 10% compared to the indicated value. The W tot column indicates the total wattage absorbed by the system without exceeding 10% of the indicated

### Accessories

Contact the Consulting and design Centre for any lighting information.

**Accessories**

- Power adapter DIMM-DALI

The reported luminous flux is the flux emitted by the light source with a tolerance of  $\pm 10\%$  compared to the indicated value. The W tot column indicates the total wattage absorbed by the system without exceeding 10% of the indicated