

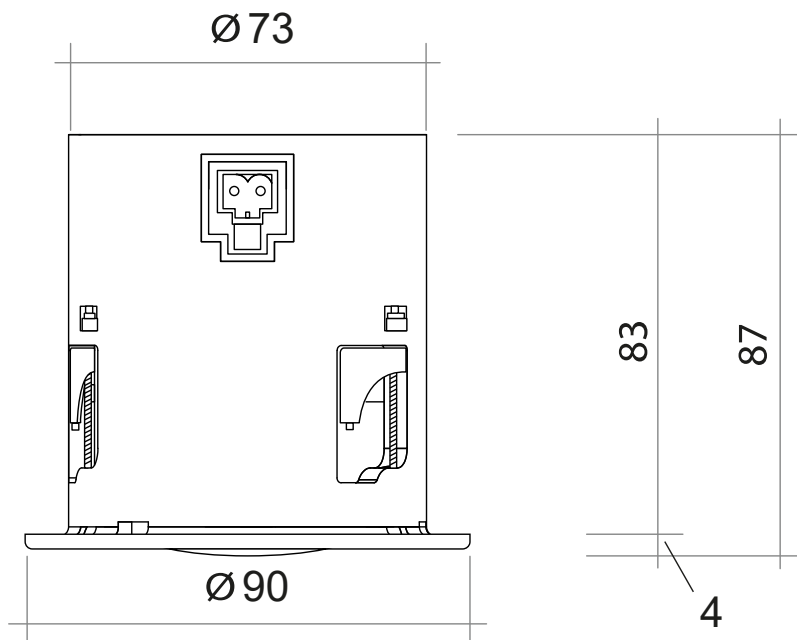


XC 230V OFFICE SENSOR G2

Recessed office sensor designed for integration with our control system, or as a supplementary sensor for luminaires equipped with built-in X Connect® technology.



(mm)



PRODUCT SPECIFICS

- Location: **Recessed**
- Volt: **230V**
- Connection: **Wieland Quick Connector**
(Recessed version)
- Dimensions: **$\text{Ø}90 \times \text{H}87$ mm**
- Weight: **170g**
- Color: **White Standard**
- Ring: **White, Black, Grey,**
Other colors on request

