

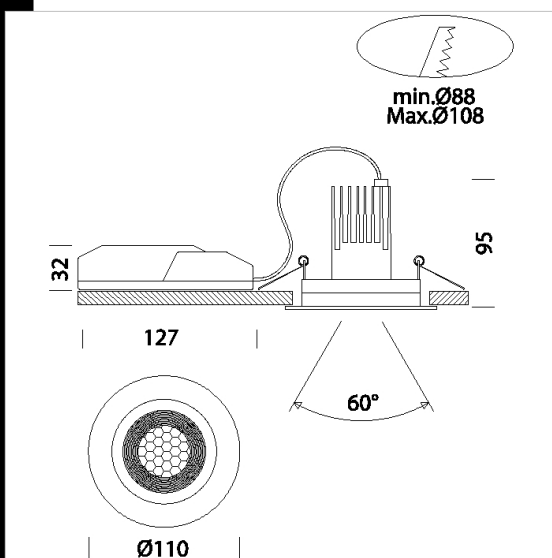


## Fenix 1 - DIMM

Housing: made in aluminum adjustable with springs.  
 Specific optical anti-glare for improved comfort.  
 Coating: Power-coated with a UV-resistant polyester paint.  
 Regulations: Manufactured in accordance with EN 60598-1-CEI 34.21 standards. Degree of protection in accordance with EN60529 standards.  
 Dimmable with IGBT dimmer dimming devices (for example, with halogen lights DIM IGBT)  
 Can be installed in a hole at least 88 mm up to Ø 108  
 Power factor:  $\geq 0.9$   
 Luminous flux maintenance 80% 50000h (L80B20)  
 Photobiological safety class: exempt group EN62471.  
 Lower lamp wattages means greater economy, more than 70% saving

### Download

DXF 2D  
 - fenix1.dxf  
 Montaggi  
 - FENIX\_1-2-3\_rev3.pdf



Code	Gear	Kg	Lumen Output-K-CRI	WTot	Colour
22068414-00	CLD CELL-DI	0.40	LED COB-900lm-4000K-38°-CRI 92	10 W	BIANCO
22068413-00	CLD CELL-DI	0.40	LED COB-870lm-3000K-38°-CRI 92	10 W	BIANCO

The reported luminous flux is the flux emitted by the light source with a tolerance of  $\pm 10\%$  compared to the indicated value. The W tot column indicates the total wattage absorbed by the system without exceeding 10% of the indicated