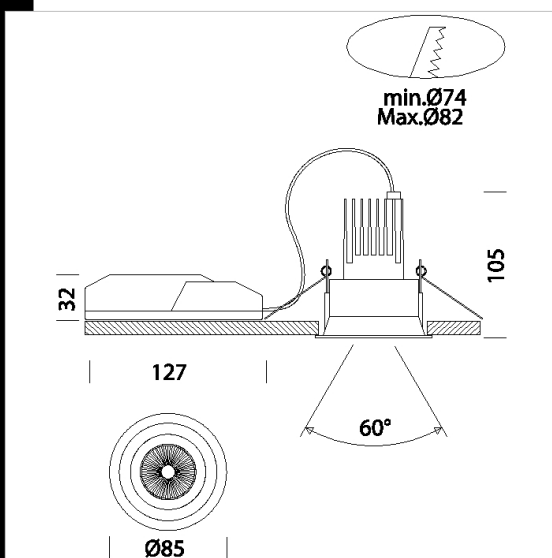


Fenix 2 - DIMM

Housing: made in aluminum adjustable with springs.
 Specific optical anti-glare for improved comfort.
 Coating: Power-coated with a UV-resistant polyester paint.
 Regulations: Manufactured in accordance with EN 60598-1-CEI 34.21 standards. Degree of protection in accordance with EN60529 standards.
 Dimmable with IGBT dimmer dimming devices (for example, with halogen lights DIM IGBT)
 Can be installed in a hole at least 88 mm up to Ø 108
 Power factor: ≥ 0.9
 Luminous flux maintenance 80% 50000h (L80B20)
 Photobiological safety class: exempt group EN62471.
 Lower lamp wattages means greater economy, more than 70% saving



Code	Gear	Kg	Lumen-K-CRI	WTot	Colour
22068514-00	CLD CELL-DI	0,40	LED COB-990lm-4000K-38°-CRI 92	10 W	BIANCO
22068513-00	CLD CELL-DI	0,35	LED COB-957lm-3000K-38°-CRI 92	10 W	BIANCO



Download

DXF 2D
 - fenix2.dxf
 Montaggi
 - FENIX_1-2-3_rev3.pdf

The reported luminous flux is the flux emitted by the light source with a tolerance of $\pm 10\%$ compared to the indicated value. The W tot column indicates the total wattage absorbed by the system without exceeding 10% of the indicated