



Download  
DXF 2D  
- fenixhome.dxf



## Fenix - home

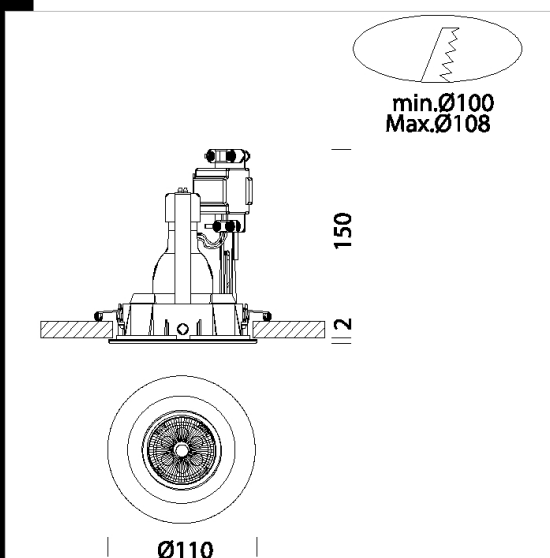
Recessed adjustable small size. Ideal for installation in shops, showrooms or exhibition halls.

Housing: in polycarbonate with aluminium reflector

Standards: Produced according to EN 60598-1-CEI 34-21 Degree of protection according to EN 60529.

Power factor: 0.8

Luminous flux maintenance 70% 25000h (L70B50)



Code	Gear	Kg	Lumen Output-K-CRI	WTot	Colour
22066915-00	CLD CELL	0.25	LED SMD-500lm-3000K-38°-CRI 80	6 W	BIANCO

The reported luminous flux is the flux emitted by the light source with a tolerance of  $\pm 10\%$  compared to the indicated value. The W tot column indicates the total wattage absorbed by the system without exceeding 10% of the indicated